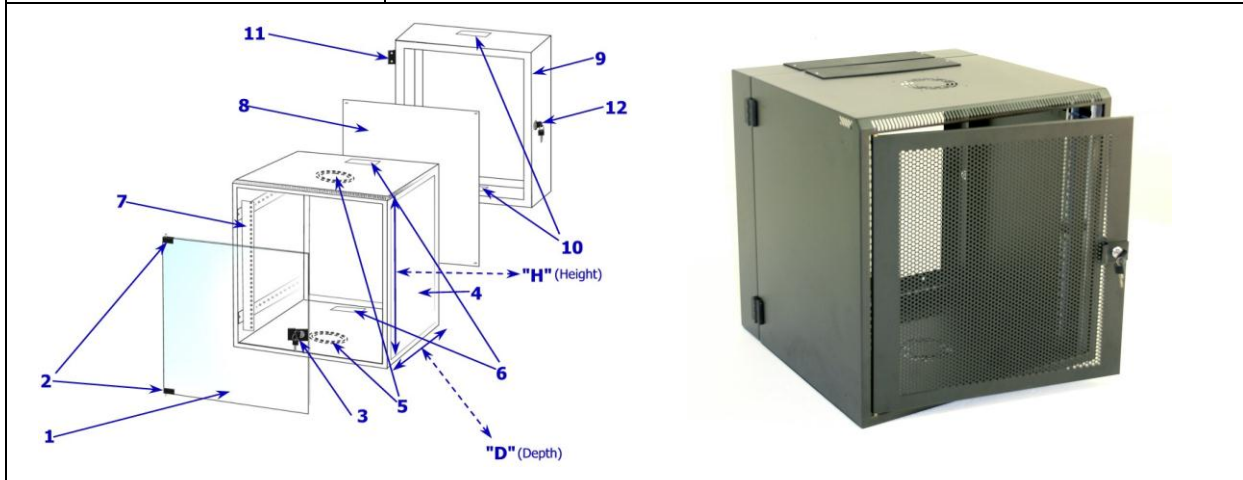


SPECIFICATION:	DIAMOND WALL BOX
-----------------------	-------------------------



1	4.mm Clear, Toughened Safety Glass Front Door or perforated steel or solid steel	7	Panel Mount
2	Front Door Hinges	8	Rear cover Plate - Optional
3	Front Door Barrel Lock and Handle	9	Swing Frame ("D" = 100mm or 200mm) - Optional
4	1.2mm Mild Steel Solid Wall Box	10	Swing Frame Cable Entry (100mm X 40mm) - Optional
5	119mm X 119mm Fan Opening	11	Swing Frame Hinge X 2 - Optional
6	Wall Box Cable Entry (100mm X 40mm)	12	Swing Frame Barrel Lock - Optional

The **Diamond™** wall box range offers an economical and cost-effective solution for smaller installations where space constraints do not allow for a floor standing cabinet, or where there is no requirement for future expansion of the installed network.

Heights Available: 4U, 6U, 9U, 12U, 15U and 18U

Depths Available: 300, 450, 550, 600mm

The **Diamond™** wall box range comes in standard 19" (600mm, inside) width and 450mm depth, with a chamfered and ventilated top that can accommodate fans (top and bottom) for additional ventilation should it be required.

Load Bearing Capacities: It is recommended that a maximum load of 10 kilograms is adhered to when using a wallbox with a swing frame. Where the wallbox is used alone, a maximum of 30 kilograms can be accommodated. The above recommendations apply to good installation practices on sturdy brick walling, adjustments must be factored in for alternate conditions: eg- dry walling.



PreisionICT® products are proudly ISO9001: 2000 certified by DQS GmbH - Deutsche Gesellschaft zur Zertifizierung von Managementsystemen. Certificate no: 324295 QM, as of 2005-02-24 Through our ISO management system and OSH teams, Modrac continuously strives to not only produce exceptionally high quality products, but to do this in the most cost effective and environmentally friendly practices.